

PARTS MANUAL

CHALLENGER

**H170HD, H190HD, H210HD,
H230HD, H250HD, H280HD
(F007)**

CUSTOMER EDITION

HYSTER

SECTIONS

1	FRAME
2	ENGINE ASSEMBLY
3	FUEL SYSTEM
4	ELECTRICAL SYSTEM
5	TRANSMISSION
6	DRIVE AXLE
7	STEERING SYSTEM
8	BRAKE SYSTEM
9	HYDRAULIC SYSTEM
10	MAST-TWO STAGE LIMITED FREE-LIFT
11	MAST-THREE STAGE FULL FREE-LIFT
12	OPTIONS
13	NUMERICAL INDEX

This Parts Manual is divided into 13 major sections which are listed above. Quick reference to these sections can be made by placing the right thumb on the tab of the desired section, bending the book back and thumbing the pages to the corresponding tab.

**Thanks very much for your reading,
Want to get more information,
Please click here, Then get the complete
manual**

JustClickHere 

NOTE:

**If there is no response to click on the link above,
please download the PDF document first, and then
click on it.**

**Have any questions please write to me:
admin@servicemanualperfect.com**

TABLE OF CONTENTS

DESCRIPTION	PAGE
A	
ACCUMULATOR	
PISTON TYPE	9-8
AIR COMPRESSOR	
PERKINS, SHEET 1 OF 2	2-64
PERKINS, SHEET 2 OF 2	2-66
AIR COMPRESSOR AND ATTACHING PARTS	
PERKINS	2-62
AIR CONDITIONING SYSTEM	
CUMMINS.....	1-38
PERKINS	1-36
AIR DRYER	2-32
AIR DUCT	
PERKINS	
TIER I ENGINE	2-56
AIR DUCT AND ACCESSORIES	
CAB.....	1-56
AIR FILTER	
WITH ASPIRATED PRE-CLEANER	
TIER I ENGINE	3-18
TIER II ENGINE	3-36
WITHOUT ASPIRATED PRE-CLEANER	
TIER I ENGINE	3-16
TIER II ENGINE	3-34
ALTERNATOR	4-16
ARMREST	
PIVOT-UP	1-64
AUXILIARY DRIVE GEAR	
PERKINS	
TIER II ENGINE	2-102
AUXILIARY DRIVE GEAR AND AIR COMPRESSOR	
PERKINS	
TIER I ENGINE	2-48
AXLE HOUSING AND ATTACHING PARTS.....	6-18
B	
BLANKING PLATE AND PLUGS	
PERKINS	
TIER II ENGINE	2-106
BLANKING PLUG, OIL FEED AND HOSES	
PERKINS	
TIER II ENGINE	2-104
BRAKE ACCUMULATOR	8-10
BRAKE ASSEMBLY	
DRY BRAKE	8-14
WET BRAKE.....	8-12
BRAKE CHAMBER	8-16
BRAKE SYSTEM	
DRY	8-6
WET	8-2
BRAKE VALVE	
DRY BRAKE	8-20

TABLE OF CONTENTS (Continued)

DESCRIPTION	PAGE
B (continued)	
WET BRAKE.....	8-18
C	
CAB AND ATTACHING PARTS	1-14
CAB AND TILT CYLINDER MOUNTING.....	1-24
CAB HARDWARE AND CONTROL COVER.....	1-52
CAB MOUNTED DRIVE LIGHTS	12-62
CAMSHAFT AND ROCKER ASSEMBLY	
PERKINS	
TIER II ENGINE	2-84
CARRIAGE	
INDIVIDUAL FORK POSITIONER	
FOUR FUNCTION.....	11-18
S/N PENDING PER ECN 68183⇒.....	10-24
⇒S/N PENDING PER ECN 68183	10-20
SIMULTANEOUS FORK POSITIONER	
THREE FUNCTION.....	11-20-28
STANDARD PIN TYPE	
FOUR, FIVE, AND SIX FUNCTION	11-16
THREE FUNCTION.....	11-14
THREE FUNCTION WITHOUT HOSE GROUP	10-14
WITH HOSE GROUP	
S/N PENDING PER ECN 68183⇒.....	10-16
CHARGE PUMP.....	5-24
CLUTCH	
FORWARD AND LOW	5-16
REVERSE AND SECOND.....	5-18
THIRD.....	5-20
CONDENSER.....	1-42
CONTROL LEVER	
S/N PENDING PER ECN 99943-63⇒.....	9-34
⇒S/N PENDING PER ECN 99943-63.....	9-32
CONTROL VALVE	
⇒S/N F007E-01814Z	9-20
S/N F007E-01815Z⇒	9-22
TRANSMISSION.....	5-28
COOLING	
CUMMINS	
TIER I ENGINE	
S/N PENDING PER ECN 68046⇒.....	2-20
⇒S/N PENDING PER ECN 68046.....	2-16
PERKINS	
TIER I ENGINE	2-12
TIER II ENGINE	2-70
COUNTERWEIGHT	1-8
CRANKSHAFT AND MAIN BEARINGS	
PERKINS	
TIER II ENGINE	2-80
CRANKSHAFT AND PISTON	

TABLE OF CONTENTS (Continued)

DESCRIPTION	PAGE
C (continued)	
PERKINS	
TIER I ENGINE	2-38
CYLINDER BLOCK	
PERKINS	
TIER I ENGINE	2-36
TIER II ENGINE	2-74
CYLINDER HEAD	
PERKINS	
TIER I ENGINE	2-40
TIER II ENGINE	2-76
CYLINDER HEAD COVER	
PERKINS	
TIER II ENGINE	2-78
D	
DASH DISPLAY	
CAB.....	1-58
DIFFERENTIAL AND CARRIER	
WET BRAKE	
S/N PENDING PER ECN 68193⇒	6-6
⇒S/N PENDING PER ECN 68193	6-2
DIFFERENTIAL/CARRIER	
DRY BRAKE	
S/N PENDING PER ECN 68193⇒	6-14
⇒S/N PENDING PER ECN 68193	6-10
DIRECTIONAL CONTROL VALVE	
S/N PENDING PER ECN 68183⇒	12-56
DOOR	
GLASS	1-18
STEEL.....	1-22
E	
ELECTRICAL PUMP	
CAB TILT.....	1-30
ELECTRICAL SYSTEM	
CUMMINS.....	4-10
PERKINS	
TIER I ENGINE	4-2
TIER II ENGINE	4-6
ELECTRONIC CONTROL MODULE AND MOUNTING	
PERKINS	
TIER II ENGINE	2-124
ENGINE ASSEMBLY	2-4
ENGINE BLOCK HEATER	
S/N PENDING PER ECN 68165-02⇒.....	2-30
⇒S/N PENDING PER ECN 68165-02.....	2-28
ENGINE LIFTING EYES	
PERKINS	
TIER II ENGINE	2-122

TABLE OF CONTENTS (Continued)

DESCRIPTION	PAGE
E (continued)	
ENGINE MOUNT	
CUMMINS.....	2-26
PERKINS	2-24
EXHAUST	
CUMMINS	
TIER I ENGINE	
S/N PENDING PER ECN 68046⇒.....	2-10
⇒S/N PENDING PER ECN 68046.....	2-8
PERKINS	
TIER I ENGINE	2-6
TIER II ENGINE	2-68
F	
FAN DRIVE AND PULLEY	
PERKINS	
TIER II ENGINE	2-100
FLOOR PLATES AND COVERS	
S/N PENDING PER ECN 68165⇒.....	1-12
⇒S/N PENDING PER ECN 68165	1-10
FLYWHEEL	
PERKINS	2-34
FORK POSITIONING CYLINDER.....	10-32
FORKS	
IDENTIFY BY PART NUMBER	12-52
FREE-LIFT CYLINDER	
THREE STAGE FULL FREE-LIFT	11-10
FRONT DRIVE PULLEY	
PERKINS	
TIER II ENGINE	2-98
FRONT, BACK-UP, TAIL, AND SIDE LIGHTS	12-60
FUEL FILTER	
PERKINS	
TIER I ENGINE	3-14
FUEL FILTER ASSEMBLY	
PERKINS	
TIER II ENGINE	3-32
FUEL INJECTION	
PERKINS	
TIER I ENGINE	3-8
FUEL INJECTION PUMP AND GEAR	
PERKINS	
TIER II ENGINE	3-22
FUEL INJECTION SUPPLY AND RETURN LINES	
PERKINS	
TIER II ENGINE	3-26
FUEL SYSTEM	
CUMMINS.....	3-6
PERKINS	
TIER I ENGINE	3-4

TABLE OF CONTENTS (Continued)

DESCRIPTION	PAGE
F (continued)	
TIER II ENGINE	3-20
G	
GENERAL TRUCK	1-2
H	
HAND PUMP	
CAB TILT	1-28
HEADER HOSE	
THREE STAGE FULL FREE-LIFT	11-12
TWO STAGE LIMITED FREE-LIFT	
⇒S/N F007E-01756Z.....	10-34
S/N F007E-01757Z⇔S/N PENDING PER ECN 68183	10-38
S/N PENDING PER ECN 68183⇒	10-42
HEATER AND AIR CONDITIONER.....	1-40
HEATER ATTACHING PARTS	
CUMMINS.....	1-34
PERKINS	1-32
HIGH PRESSURE FUEL PIPES	
PERKINS	
TIER II ENGINE	3-24
HOOD.....	1-4
HUB AND SHAFT ASSEMBLY	
DRY BRAKE	
S/N PENDING PER ECN 68193⇒	6-24
⇒S/N PENDING PER ECN 68193	6-22
WET BRAKE.....	6-20
HYDRAULIC PUMP	
TURBO	9-14
HYDRAULIC SUPPLY AND RETURN.....	9-2
HYDRAULIC TANK AND ATTACHING PARTS	
S/N PENDING PER ECN 68165⇒	9-12
⇒S/N PENDING PER ECN 68165	9-10
HYDRAULIC VALVE AND ATTACHING PARTS	9-16
I	
IDLER GEAR	
PERKINS	
TIER II ENGINE	2-96
IDLER SHAFT	5-22
INCHING PEDAL AND ACCESSORIES	
CAB.....	1-54
INCHING PEDAL LINKAGE	5-8
INDICATOR DISPLAY ASSEMBLY	1-60
INNER MAST	
TWO STAGE LIMITED FREE-LIFT.....	10-4

TABLE OF CONTENTS (Continued)

DESCRIPTION	PAGE
J	
JOYSTICK CONTROL.....	9-30
L	
LABELS.....	1-50
LIFT	
TWO STAGE LIMITED FREE-LIFT.....	10-6
LIFT ACCUMULATOR AND ATTACHING PARTS.....	9-6
LIFT PUMP	
PERKINS	
TIER I ENGINE.....	3-12
LIFT PUMP AND FUEL FILTER LINES	
PERKINS	
TIER II ENGINE.....	3-28
LIFT PUMP ASSEMBLY	
PERKINS	
TIER II ENGINE.....	3-30
LIFTING EYES.....	12-66
LOW PRESSURE SYSTEM	
PERKINS	
TIER I ENGINE.....	3-10
LUBRICANT SYSTEM	
PERKINS	
TIER I ENGINE.....	2-58
M	
MAIN LIFT CYLINDER	
THREE STAGE FULL FREE-LIFT.....	11-9
TWO STAGE LIMITED FREE-LIFT.....	10-10
MANIFOLDS	
PERKINS	
TIER I ENGINE.....	2-60
TIER II ENGINE.....	2-94
MAST AND REAR WORK LIGHTS.....	12-58
MAST ASSEMBLY	
THREE STAGE FULL FREE-LIFT	
SHEET 1 OF 3.....	11-2
SHEET 2 OF 3.....	11-4
SHEET 3 OF 3.....	11-6
MAST INSTALLATION.....	9-38
MAST WIRE HARNESS	
TWO STAGE LIMITED FREE-LIFT.....	4-43
MODULATOR VALVE.....	5-26
MONOTROL PEDAL.....	3-48
O	
OIL COOLER	
WET BRAKE.....	8-9
OIL COOLER AND CONNECTIONS	
PERKINS	
TIER II ENGINE.....	2-112

TABLE OF CONTENTS (Continued)

DESCRIPTION	PAGE
O (continued)	
OIL FILTER AND ATTACHING PARTS	
PERKINS	
TIER II ENGINE	2-110
OIL FILTER AND COOLER	
TURBO	
PERKINS TIER I ENGINE.....	2-50
OIL PUMP AND DELIVERY HOUSING	
PERKINS	
TIER II ENGINE	2-108
OIL SUMP	
PERKINS	
TIER I ENGINE	2-46
TIER II ENGINE	2-92
OUTER MAST	
TWO STAGE LIMITED FREE-LIFT.....	10-2
OUTPUT GEAR.....	5-23
P	
PARK BRAKE	
WET BRAKE.....	8-22
PICK-UP SENSORS	
PERKINS	
TIER II ENGINE	2-128
PILOT VALVE	9-26
PISTON AND CONNECTING ROD	
PERKINS	
TIER II ENGINE	2-82
PUMP DRIVE GEARS.....	5-14
R	
REVERSE ALARM.....	12-68
S	
SEAT ASSEMBLY	
AIR.....	1-44
MECHANICAL	1-46
SELECTOR VALVE	12-54
SIDE-SHIFT CARRIAGE	
THREE STAGE FULL FREE-LIFT	
FOUR, FIVE, AND SIX FUNCTION	12-38
INDIVIDUAL FORK POSITIONER (FIVE FUNCTION).....	12-42
SIMULTANEOUS FORK POSITIONER (FOUR FUNCTION)	12-46
THREE FUNCTION.....	12-36
TWO STAGE LIMITED FREE-LIFT	
DUAL FUNCTION WITH FORK POSITIONER.....	12-30
FOUR AND FIVE FUNCTION	12-6
INDIVIDUAL FORK POSITIONER	
⇒S/N PENDING PER ECN 68183.....	12-14
INDIVIDUAL FORK POSITIONER (FIVE FUNCTION)	

TABLE OF CONTENTS (Continued)

DESCRIPTION	PAGE
S (continued)	
S/N PENDING PER ECN 68183⇒.....	12-18
SIMULTANEOUS FORK POSITIONER ⇒S/N PENDING PER ECN 68183.....	12-22
SIMULTANEOUS FORK POSITIONER (FOUR FUNCTION) S/N PENDING PER ECN 68183⇒.....	12-26
THREE FUNCTION.....	12-4
WITH HOSE GROUP S/N PENDING PER ECN 68183⇒.....	12-10
SIDE-SHIFT CYLINDER.....	12-50
TWO STAGE LIMITED FREE-LIFT DUAL FUNCTION WITH FORK POSITIONER.....	12-34
STARTER PERKINS TIER I ENGINE.....	4-14
STEERING AXLE.....	7-10
STEERING COLUMN AND ATTACHING PARTS.....	7-4
STEERING COLUMN ASSEMBLY.....	7-6
STEERING CYLINDER.....	7-14
STEERING PUMP.....	7-8
STEERING SYSTEM.....	7-2
STROBE LIGHT.....	12-64
T	
THERMOSTAT AND WATER OUTLET HOUSING PERKINS TIER II ENGINE.....	2-114
THROTTLE LINKAGE CUMMINS.....	3-42
PERKINS.....	3-40
THROTTLE PEDAL LINKAGE FORWARD AND REVERSE.....	3-44
MONOTROL PEDAL.....	3-46
TILT CYLINDER.....	9-28
CAB.....	1-26
TILT CYLINDER AND ATTACHING PARTS MAST.....	9-24
TIMING CASE AND ALTERNATOR MOUNTING PERKINS TIER II ENGINE.....	2-86
TIMING COVER PERKINS TIER II ENGINE.....	2-88
TIMING GEAR PERKINS TIER I ENGINE.....	2-44
TIER II ENGINE.....	2-90
TIRE AND WHEEL.....	12-2
TORQUE CONVERTER CUMMINS.....	5-4

TABLE OF CONTENTS (Continued)

DESCRIPTION	PAGE
T (continued)	
PERKINS	5-2
TRAINING SEAT	1-48
TRANSMISSION	5-10
TRANSMISSION MOUNT AND ATTACHING PARTS	5-6
TURBO DRAIN PIPE AND BLANKING PLATE	
PERKINS	
TIER II ENGINE	2-120
TURBOCHARGER	
PERKINS	
TIER I ENGINE	2-54
TURBOCHARGER AND ATTACHING PARTS	
PERKINS	
TIER II ENGINE	2-118
V	
VALVE COVER	
PERKINS	
TIER I ENGINE	2-42
W	
WATER PUMP	
PERKINS	
TIER I ENGINE	2-52
TIER II ENGINE	2-116
WATER SEPARATOR	
PERKINS	3-38
WINDOW WASHER AND ARMREST ASSEMBLY	1-62
WIRE HARNESS	
ARMREST	
WITH CLOSED CAB	4-26
WITH OPEN CAB	4-28
AUTOSHIFT BY-PASS	4-30
CAB SIDE CONSOLE	
⇒S/N F007E-01803Z	4-34
S/N F007E-01804Z⇔S/N PENDING PER ECN 99943-63	4-38
CAB UNDERFLOOR	4-32
CLOSED CAB	4-24
OPEN CAB	4-22
REAR WIPER	4-20
STEERING COLUMN	4-18
WIRING LOOMS	
PERKINS	
TIER II ENGINE	2-126

ABBREVIATIONS QUICK REFERENCE SHEET

Listed below are abbreviations used in parts manuals to denote the following expressions:

TERM	DEFINITION	TERM	DEFINITION
Amp	Amperes	FRE	Freezer Environment
AR	As Required	in.	inches
BDI	Battery Discharge Indicators	LPG	Liquefied Petroleum Gas
BWI	Brush Wear Indicator	MAP	Manifold Absolute Pressure
CE	Communicator End	mm	millimeters
CRE	Corrosive Environment	MSTS	Microprocessor Spark Timing System
D/B	Date Break	NPT	National Pipe Threads
dbA	Decibel "A" Scale	O/S	Oversize
DE	Drive End	PTO	Power Take Off
ECH	Empty Container Handler	RPM	Revolutions per Minute
ECH-3	Empty Container Handler - 3 High Stacking	S/N	Serial Number
ECH-4	Empty Container Handler - 4 High Stacking	TMM	Truck Management Module
ECH-5	Empty Container Handler - 5 High Stacking	UL Type D	Diesel-Powered Safety Rating
ECH-6	Empty Container Handler - 6 High Stacking	UL Type DS	Diesel-Powered Safety Rating
ECH-7	Empty Container Handler - 7 High Stacking	UL Type E	Battery-Powered Safety Rating
ECM	Electronic Control Module	UL Type EE	Battery-Powered Safety Rating
ECN	Engineering Change Notice	UL Type ES	Battery-Powered Safety Rating
EEPROM	Electrically Erasable Programmable Read Only Memory	UL Type G	Gasoline-Powered Safety Rating
EPROM	Electrically Programmable Read Only Memory	UL Type GS	Gasoline-Powered Safety Rating
		UL Type LP	Gas-Powered Safety Rating
		UL Type LPS	LP Gas-Powered Safety Rating
		U/S	Undersize
		UL	Underwriters Laboratory
		V	Volts

HOW TO USE THE ILLUSTRATED PARTS MANUAL

This parts manual describes and illustrates assemblies, subassemblies, and detail parts needed for service replacement.

The different constructions are indicated by keys and footnotes. The callouts correspond to descriptions found on the next page.

HYSTER UNIT CODE D001 NORTH AMERICA 06/2001

TABLE OF CONTENTS

DESCRIPTION	PAGE
AIR INTAKE AND FILTER DIESEL (⇒ D/B 11/96).....	3-22
AIR INTAKE AND FILTER DIESEL (D/B 11/96 ⇒).....	
AIR INTAKE AND FILTER GASOLINE AND LPG.....	
ALTERNATOR GASOLINE, LPG, AND DIESEL -	
ALTERNATOR TYPES GS, LPS, AND DS.....	
AUXILIARY FUNCTION TUBE TWO AND THREE STAGE FULL F.....	

SECTION 13 NUMERICAL INDEX

PART NO.	ITEM PAGE NO.	PART NO.	ITEM PAGE NO.	PART NO.	ITEM PAGE NO.	PART NO.	ITEM PAGE NO.
142	3-4 19	10-13	25	11-27	29	12-31	12
12445	3-32 19	10-17	6	11-31	25	16719	3-35 5
	3-34 1	10-27	11	11-32	37	16751	3-16 27
		11-11	6	8-4	28	16849	3-34 21
		12-21	11	8-8	34	16863	3-36 20
		4	13	9-7	9	16865	3-6 17
		12	5	9-7	19	16882	4-27 41
		3	17	9-11	9		9-7 30
		9	10	9-11	17		9-11 27
		23	46	10-9	21		10-10 36
		27	46	10-9	28		10-13 32
		26	14	10-13	16		11-7 24
		28	14	11-7	19		11-9 17
		30	14				

SECTIONS

- 1
- 2
- 3
- 4
- 5
- 6
- 7
- 8
- 9
- 10
- 11

FRAME

ELECTRICAL SYSTEM

BRAKE/ACC

MAST-TWO STAGE

MAST-THREE STAGE

MAST-TWO STAGE

TRANSMISSION HOUSING
⇒ S/N D001H-2628

KEY:
A: Diesel
B: Gasoline and LPG

ITEM	PART NO.	DESCRIPTION	QTY	
			A	B
		Transmission	1	1
	2022547	Transmission	1	1
	2023229	Transmission	2	2
	2021670	Case	4	4
	2023418	Case	4	4
1	2021670	Bearing Cap	1	1
2	296426	Washer	2	2
3	296426	Washer	2	2
4	296426	Washer	4	4
5	2021380	Bolt	1	1
6	1371656	Coil Spring	2	2
7	2021329	Coil Spring	4	4
8	2021915	Coil Spring	1	1
9	2021675	O-Ring	4	4
10	2021336	Plug	22	22
11	287860	Housing	39	39
12	292682	Pin	1	1
13	292682	Bolt	1	1
14	2021345	Lockwasher	1	1
15	214364	Hydraulic Pump	8	8
16	296418	Hydraulic Pump	1	1
17	2021388	Hydraulic Pump	8	8
18	2021389	Hydraulic Pump	1	1
19	2021383	Hydraulic Pump	1	1
20	292515	Hydraulic Pump	9	9
21	136692	Hydraulic Pump	9	9
22	292527	Hydraulic Pump	2	2
23	292531	Hydraulic Pump	3	3
24	292683	Hydraulic Pump	3	2
25	293637	Hydraulic Pump	4	4
26	296420	Hydraulic Pump	4	4
	996403	Transmission Kit (Includes Item 7)	1	1
	996405	Transmission Kit (Includes Item 14)	1	1

This Parts Manual is divided into 11 major sections which are listed above. Quick reference can be made by placing the right thumb on the tab of the desired section, bending the pages to the corresponding tab.

See Service Manual for service procedures

© Copy Right Date HYSTER COMPANY

5-15

HOW TO FIND THE DESIRED PART NUMBER

WHEN THE PART NUMBER AND THE NEXT HIGHER ASSEMBLY IS NOT KNOWN:

1. Determine the function and application of the part required. Turn to the Sections Page. Choose the general area of reference most likely to include the part.
2. Turn to the section you chose. Use the Section Table of Contents to determine the assembly which would normally contain the part required. Then locate the part on the assembly breakdown page.

WHEN THE PART NUMBER IS NOT KNOWN AND THE NEXT HIGHER ASSEMBLY IS KNOWN:

3. Determine the assembly the required part is used on. Turn to the Table of Contents on Page i.
4. Locate the assembly the required part is used on and turn to the page indicated for that assembly. Then locate the part on the assembly breakdown page.

WHEN THE PART NUMBER IS KNOWN:

5. Use the Numerical Index on Page 13-1 to find the part number. Turn to the page listed and locate the part as indicated by the item number.

GENERAL:

The assembly breakdowns include part numbers, descriptions, quantities required, keys and footnotes to help in selecting correct parts.

6. Five periods in the PART NO. column (.) indicate that the part is either *Not Serviced Separately* or there is a reference to another figure. A figure reference is denoted by a pointing hand followed by a figure number in the DESCRIPTION column (☞ Figure 10)
7. Keys are used to show two or more similar assemblies, RH and LH assembly parts, etc. Select the appropriate key, "A", "B", "C", "D", or "E" and the corresponding quantity column to find the required parts. Two periods in the QTY column (..) indicate that the part is not used for that assembly.
8. Indented descriptions under the DESCRIPTION column are used to indicate assemblies and subparts of assemblies. In the example on the

previous page, *BEARING CAP* (Item 2) is a subpart of the major assembly *CASE*.

9. Quantities shown are for one assembly. The quantities of the subpart *BEARING CAP* are indicated as two and two. This means two per *CASE* assembly.
10. Serial number breaks identify the most current parts information and are shown as follows:
 - ⇒ **S/N D001H-2628**
Indicates last serial number affected.
 - S/N D001H-2629** ⇒
Indicates the first serial number affected.
 - S/N D001H-1553** ⇔ **S/N D001H-3291**
Indicates a range of serial numbers affected.

ECN numbers for pending serial numbers are shown to allow for the inclusion of the most current parts information and are identified as follows:

- ⇒ **S/N Pending Per ECN 63243**
Indicates a pending serial number for last unit affected.
- S/N Pending Per ECN 63243** ⇒
Indicates a pending serial number for first unit affected.

Date breaks are used to indicate when a change occurred but a subsequent serial number break was not recorded. This is an arbitrary date usually based on the ECN release and are identified as follows:

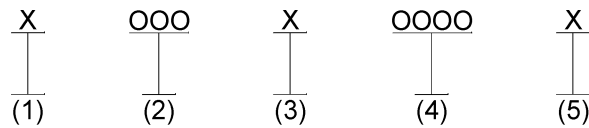
- ⇒ **D/B 3/00**
Indicates that a change occurred sometime within that month for the item affected.
- D/B 3/00** ⇒
Indicates that a change occurred sometime within that month for the item affected.
- D/B 3/00** ⇔ **D/B 4/00**
Indicates a range of production dates of the item affected.

Contact your local dealer for Hyster lift trucks for serial number information for items with a ECN or a date break.

ORDERING PARTS:

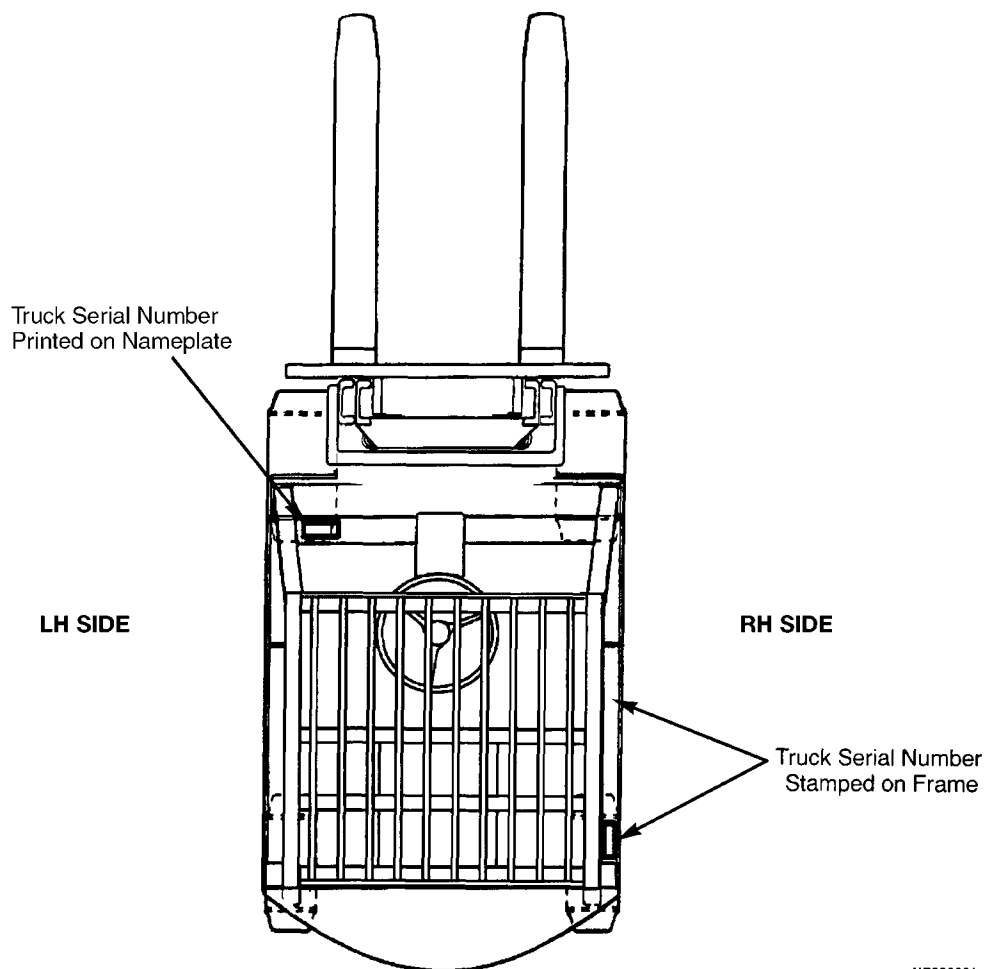
When ordering replacement parts, give the unit serial number, part number, name of part and quantity required.

For any further information on parts, service, or ordering, consult your local dealer for Hyster lift trucks.

IDENTIFICATION OF TRUCK SERIAL NUMBERS

- (1) and (2) The first letter and three numbers indicate the truck unit code.
- (3) The second letter indicates the plant of manufacture.
- (4) The four or five digit number indicates the production sequence number of the truck.
- (5) The final letter indicates the year of manufacture starting with "A" in 1957 and 1980. The letters "I", "O", and "Q" will not be used.

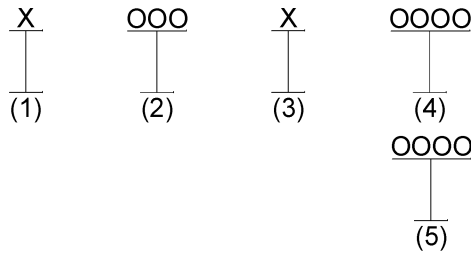
For pending serial numbers contact your local dealer for Hyster lift trucks.



HP990001

Parts referred to in this book as right or left hand parts are in accordance with the illustration above.

IDENTIFICATION OF MAST SERIAL NUMBERS



- (1) and (2) The first letter and number indicates the mast unit code.
- (3) The second letter indicates the plant of manufacture.
- (4) The four or five digit number indicates the production sequence number of the mast.
- (5) Carriage travel in millimeters stamped just below the serial number.

Mast Group identification consists of mast unit code (1) and (2) plus carriage travel (5).

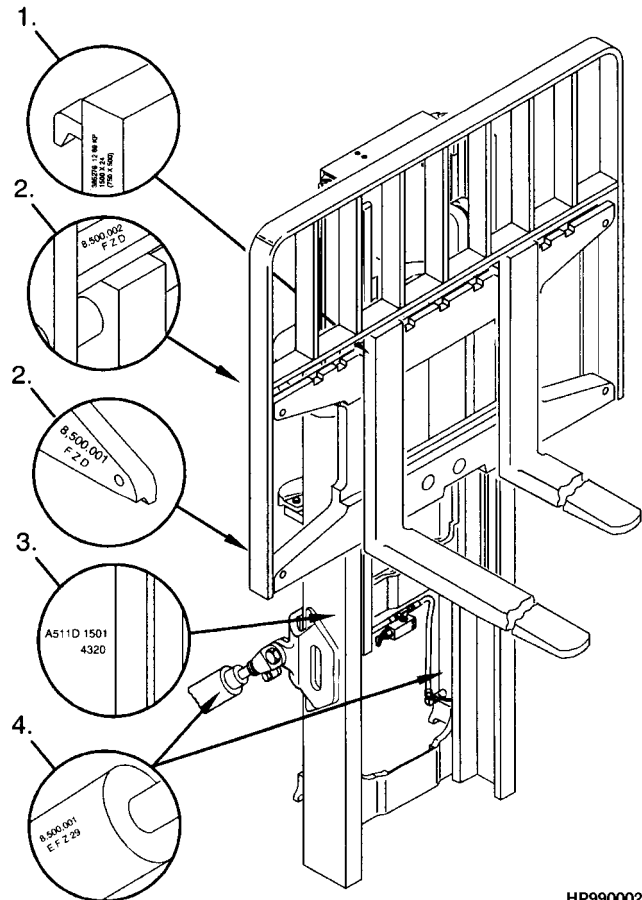
For pending production sequence numbers contact your local dealer for Hyster lift trucks.

LIFT EQUIPMENT IDENTIFICATION

1. Fork part number, capacity rating, plant code letter, and date of manufacture are stamped approximately six inches below the top of most forks.
2. The carriage group number is stamped on the right hand side of the top crossmember (pin type) or on the back of the right hand end of the bottom crossmember (hook type). A date code has two letters in line with or below the carriage group number.
3. The mast identification number has a unit code, a letter indicating the plant of manufacture, and a serial number. Underneath the production sequence number is a four digit number that indicates the carriage travel in millimeters.
4. Tilt and lift cylinder group numbers are stamped on the cylinder shell.

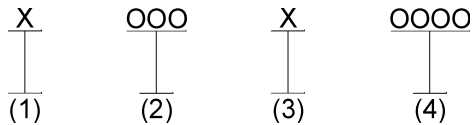
Always refer to the group, serial, or part number when ordering service parts.

Modification of masts and carriages by SPED (Special Products Engineering Department) are identified by a model prefix code beginning with the letter "S". contact your dealer for Hyster lift trucks for information on these assemblies.



HP990002

IDENTIFICATION OF ATTACHMENT AND SIDE-SHIFT CARRIAGE SERIAL NUMBERS

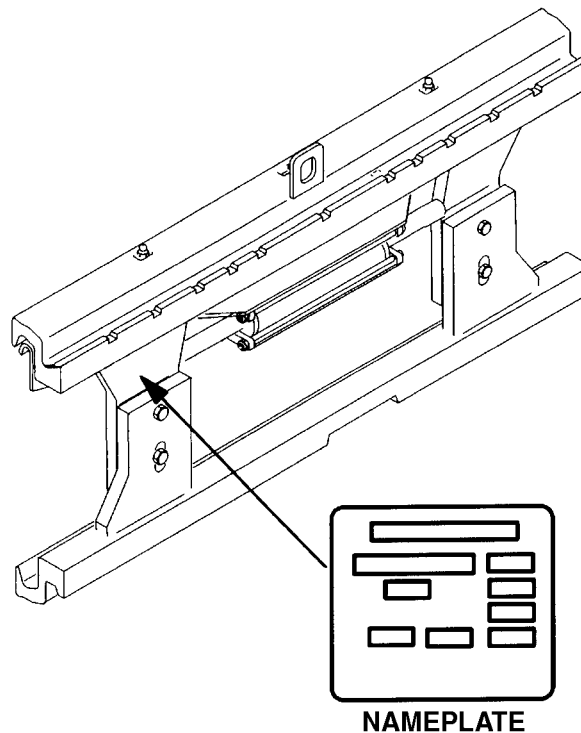


(1) and (2) The first letter and three numbers indicate the attachment unit code.

(3) The second letter indicates the plant of manufacture.

(4) The four or five digit number indicates the production sequence number.

For pending production sequence numbers contact your local dealer for Hyster lift trucks.



HP990003

Side-shift carriages and attachments have nameplates. Use the serial number found on the nameplate to identify the attachment.

Always refer to the group, serial, or part number when ordering service parts.

Modifications of attachments and side-shift carriages by SPED (Special Products Engineering Department) are identified by a model prefix code beginning with the letter "S". Contact your dealer for Hyster lift trucks for information on these assemblies.